

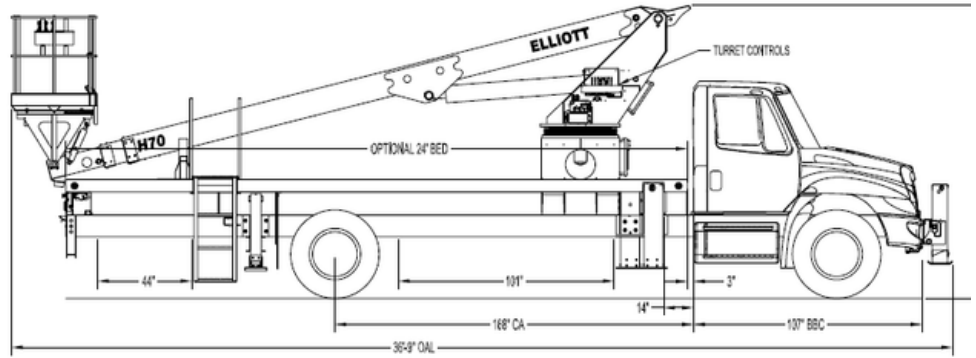


STANDARD FEATURES

- 3-Section Telescopic Boom
- Top-Mount 40" x 60" Platform
- 5,900 lb Main Winch
- 1,000 lb Platform Jib
- Continuous Rotation
- Hydraulic Platform Leveling
- "A" Frame & MH Outriggers
- ANSI A92.2 Certified



H70F



HiReach

Extended Reach Capability

75' working height and 58' side reach provide strong performance for utility and construction applications.

Versatile Material Handling

Up to 5,900 lb main winch capacity and 1,000 lb platform jib allow lifting from the platform or boom tip.

Flexible Setup Options

Outrigger configurations enable both wide stability and reduced footprint operation in tighter jobsite environments.

Reliable Performance

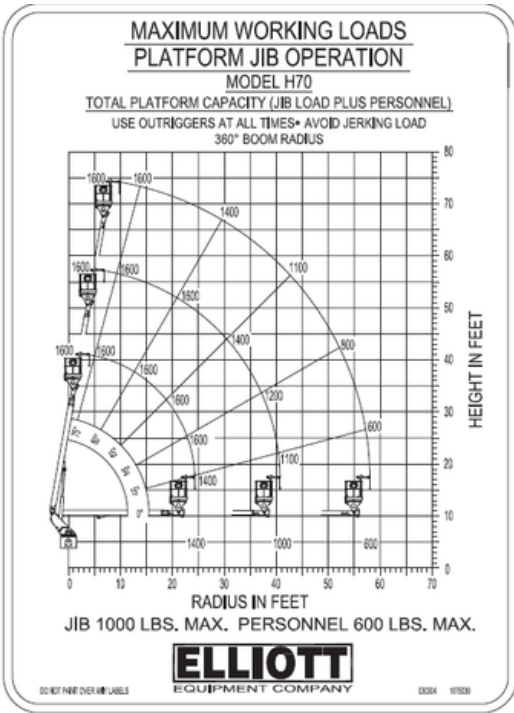
Heavy-duty boom construction, hydraulic systems, and continuous rotation provide consistent, dependable operation.





H70F

HiReach



OPTIONS

- MH Outriggers with Shortjacking
- Platform Material Handling Jib
- High Capacity Boom Winch Options
- Outrigger Pad Holders
- Bed & Platform Accessories
- Hydraulic 2-Speed Digger System
- Custom Line Body

FULL SPECS:



SPECIFICATIONS

Working Height	75' / 23 m
Working Side Reach	58' / 17.7 m
Platform Capacity	600 lb / 272 kg
Platform Size	40" x 60" / 102 x 152 cm
Main Winch Capacity	5,900 lb / 2,676 kg
Jib Winch Capacity	1,000 lb / 454 kg
Powered Boom Sections	3
Overall Height	11'5" / 3.5 m
Unit Weight	17,600 lb / 7,983 kg
Outrigger Spread (Main)	18' / 5.5 m
Outrigger Spread (Auxiliary)	8' / 2.4 m

