

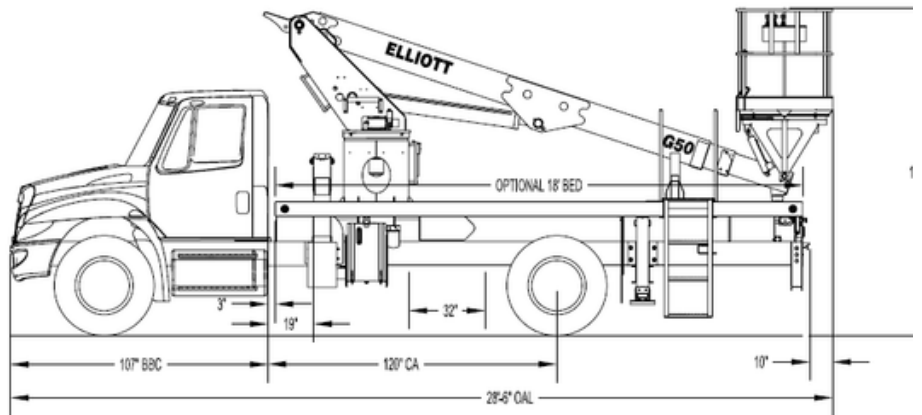


## STANDARD FEATURES

- 3-Section Telescopic Boom
- Top-Mount 40" x 60" Platform (600 lb Capacity)
- 5,900 lb Main Winch
- 1,000 lb Platform Jib
- Continuous Rotation Hydraulic System
- Hydraulic Platform Leveling System
- Full Welded Subframe
- Closed-Center Hydraulic System
- ANSI A92.2 Certified

# G50F

## HiReach



### Compact Mid-Range Performance

55' working height and 41' side reach provide strong capability while maintaining a compact footprint for urban and commercial applications.

### Stable & Efficient Setup

"A"-frame outriggers with auxiliary support improve stability and allow efficient setup across a range of jobsite conditions.

### Integrated Material Handling

5,900 lb main winch and 1,000 lb platform jib allow lifting directly from the platform, reducing the need for additional equipment.

### Operator Control & Accessibility

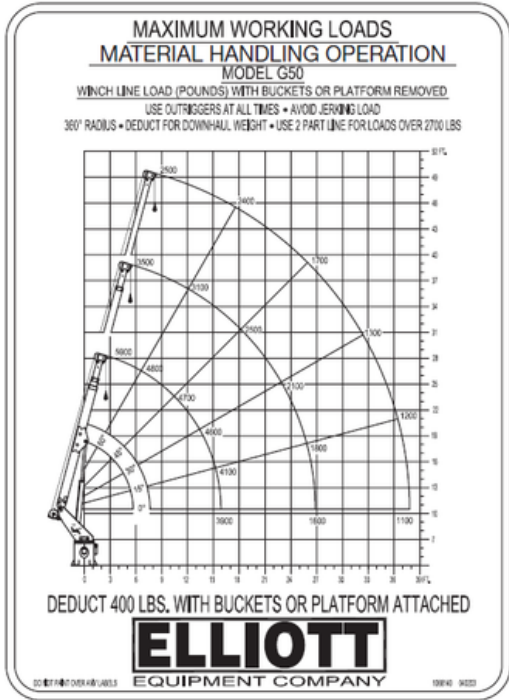
Top-mounted platform with proportional controls and remote operation enables smooth, precise positioning and increased operator productivity.





# G50F

HiReach



## OPTIONS

- Radio Remote Control
- Material Handling Jib
- Boom-Mounted Winch (2-Speed)
- Outrigger Pad Holders
- Bed Accessories (Welders, Generators, etc.)
- Platform Accessories (110V, Hydraulic Tools, etc.)
- Custom Toolboxes & Line Body Configurations

FULL SPECS:



## SPECIFICATIONS

Working Height	55' / 16.8 m
Working Side Reach	41' / 12.5 m
Platform Capacity	600 lb / 272 kg
Platform Size	40" × 60" / 102 × 152 cm
Main Winch Capacity	5,900 lb / 2,676 kg
Jib Winch Capacity	1,000 lb / 454 kg
Powered Boom Sections	3
Overall Height	11'4" / 3.4 m
Unit Weight	11,000 lb / 4,989 kg
Outrigger Spread (Main)	12'6" / 3.8 m
Outrigger Spread (Auxiliary)	8' / 2.4 m

