

# ELLIOTT

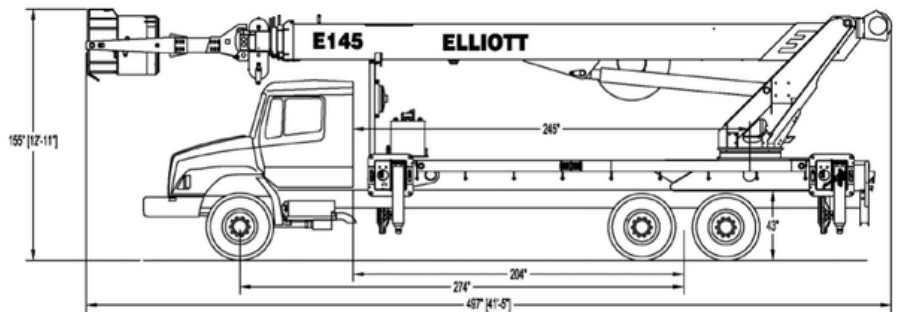
## STANDARD FEATURES

- 5-Section High-Strength Steel Boom
- 36" x 72" Gravity-Levelled Steel Platform
- 18,000 lb. Main Winch with 400' Rope
- Hard-Wired & Radio Backup Controls
- Load Moment Indicator (LMI) System
- EZ-Crib Outriggers (21'2" Spread)
- Ride-Around Control Console
- Closed-Center Hydraulic System
- ANSI A92.2 Certified
- Lifetime Structural Warranty



# E145

## E-LINE AERIAL



### High Capacity Aerial Performance

145' platform height with 1,200 lb capacity supports demanding utility and construction applications.

### Enhanced Stability & Setup

EZ-Crib outriggers with long vertical stroke reduce cribbing and improve setup on uneven terrain.

### Versatile Work Platform

Gravity-levelled 36" x 72" platform with hydraulic tool circuits supports multi-function jobsite use.

### Advanced Safety & Control

Integrated LMI system with anti-two-block ensures safe, controlled operation.

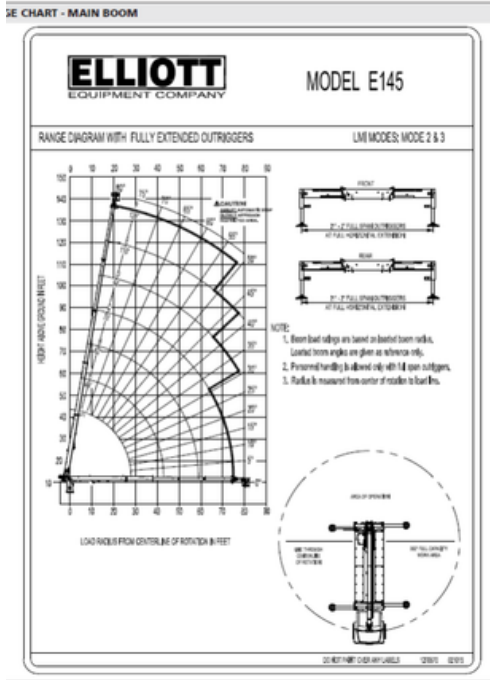
402.592.4500 | SALES@ELLIOTTEQUIP.COM | ELLIOTTEQUIP.COM





# E145

E-LINE AERIAL



## OPTIONS

- Fiberglass Platform Yoke
- Safety Lighting
- Outrigger Pads
- Bed-Mounted Accessories
- Work Area Definition System (WADS)
- Custom Tool Boxes

### FULL SPECS:



## SPECIFICATIONS

Maximum Working Height	145' / 44.2 m
Main Boom Length	125' / 38.1 m
Platform Capacity	1,200 lb / 544 kg
Platform Size	36" x 72" / 91 x 183 cm
Working Area	360°
Overall Height	12'11" / 3.9 m
Front Outrigger Spread	21'2" / 6.4 m
Rear Outrigger Spread	21'2" / 6.4 m
Minimum GVWR	58,000 lb / 26,308 kg

