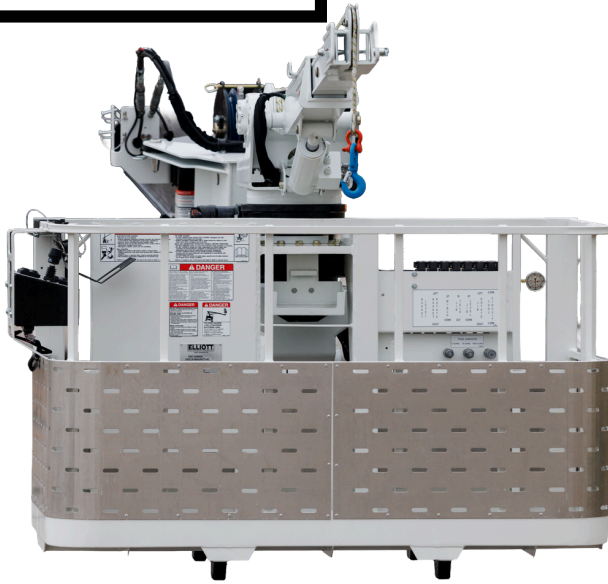


ELLIOTT



E-LINE PLATFORM

STANDARD COMPONENTS

- Interchangeable Booms – One machine can operate in five modes
- 500kV Class A Insulating and Non-Insulating Steel Construction Booms
- Telescopic Mode with Hydraulic Self-Leveling, Rotating Platform – 130' Working Height, 1,200 lb Personnel / 1,500 lb Material Capacity
- Main Boom Material Handling – 30,000 lb Maximum Lift Capacity
- Multiple Platform Configurations Available
- 240° Hyper-Articulation for Maximum Access
- Dynasmooth Radio Remote Controls
- EZ-Crib Outriggers – 30" Additional Vertical Penetration
- Elliott ERFSD Speed Reduction at Full Extension
- Rapid Mode Changeover with Minimal Tools Required
- ANSI A92.2 Compliant in All Modes

Self-Leveling, Rotating Platform

The hydraulic self-leveling platform with 165° rotation keeps operators safe, stable, and positioned exactly where they need to be—even in challenging conditions.

Heavy-Duty Personnel & Combined Capacity

With a 1,200 lb personnel capacity and a total combined capacity of 2,000 lb, the basket supports both crews and equipment, ensuring maximum productivity in a single lift.

Stays On Between Jobs for Faster Setup

Designed for flexibility, the E-Line Basket is roadable with a front frame extension, simplifying transport between job sites.

Integrated Material Handling

An independently rotating material handler with up to 1,500 lb capacity allows crews to lift and position materials with precision, reducing the need for extra equipment and improving efficiency on the job site.

Engineered for Utility Applications

Purpose-built for transmission and distribution, the basket is rated for 30 mph wind and stays attached to the boom during job site use, ensuring dependable performance and safety in real-world conditions.

Available on E145, E160, and E190

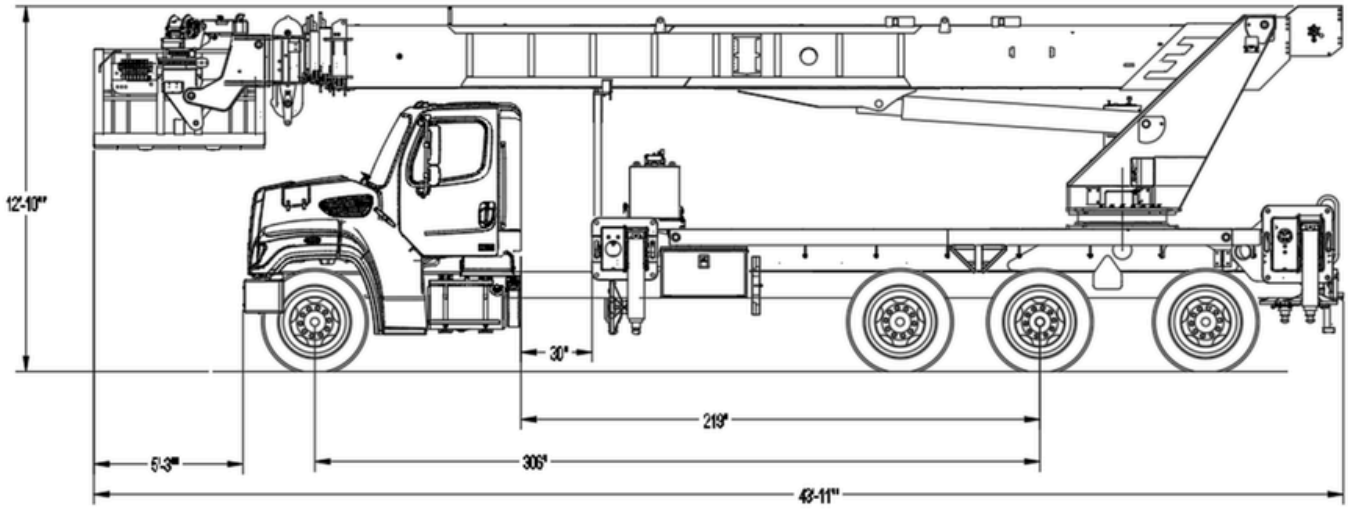
402.592.4500 | SALES@ELLIOTTEQUIP.COM | ELLIOTTEQUIP.COM





PLATFORM

E-LINE AERIAL



VIDEO:



FULL SPECS:



402.592.4500 | SALES@ELLIOTTEQUIP.COM | ELLIOTTEQUIP.COM

